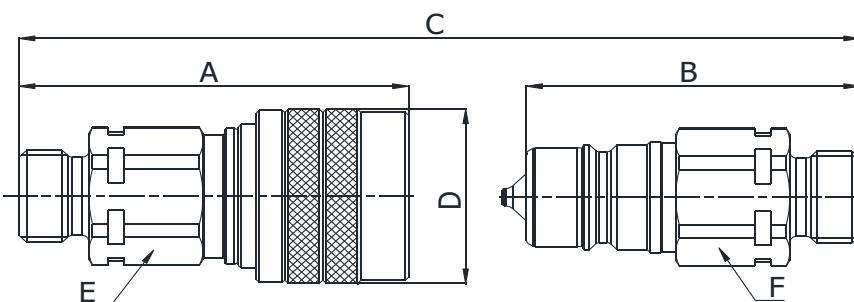


Q00811041A
Q00211041A

BSP TERMINATION ENDS
TO DIN 3852 X TYPE

SIZE			PART NUMBER		THREAD	DIMENSIONS mm					
DN	Inch	Dash	Female coupling	Male coupling		A	B	C	D	E	F
6.3	1/4"	-04	Q00811041A-04-04	Q00211041A-04-04	1/4"	48.8	34.5	A+B-14,2	ø24	17	17
10	3/8"	-06	Q00811041A-06-04	Q00211041A-06-04	1/4"	63	54.5	A+B-17,5	ø30	22	22
10	3/8"	-06	Q00811041A-06-06	Q00211041A-06-06	3/8"	57.8	40	A+B-17,5	ø30	22	22
12.5	1/2"	-08	Q00811041A-08-06	Q00211041A-08-06	3/8"	66.2	55	A+B-21,8	ø38	27	27
12.5	1/2"	-08	Q00811041A-08-08	Q00211041A-08-08	1/2"	67	45	A+B-21,8	ø38	27	27
12.5	1/2"	-08	Q00811041A-08-12	Q00211041A-08-12	3/4"	69	53	A+B-21,8	ø38	34	34
20	3/4"	-12	Q00811041A-12-08	Q00211041A-12-08	1/2"	85.7	66.3	A+B-26,7	ø45	34	34
20	3/4"	-12	Q00811041A-12-12	Q00211041A-12-12	3/4"	83.5	56.5	A+B-26,7	ø45	34	34
25	1"	-16	Q00811041A-16-12	Q00211041A-16-12	3/4"	97.9	64.5	A+B-32,7	ø52	41	41
25	1"	-16	Q00811041A-16-16	Q00211041A-16-16	1"	97.9	64.5	A+B-32,7	ø52	41	41
31.5	1.1/4"	-20	Q00811041A-20-20	Q00211041A-20-20	1.1/4"	118	75	A+B-43	ø69	50	50
40	1.1/2"	-24	Q00811041A-24-24	Q00211041A-24-24	1.1/2"	133	84	A+B-49	ø83	60	60
51	2"	-32	Q00811041A-32-32	Q00211041A-32-32	2"	164	104	A+B-60,2	ø100	75	75



Q00811110A
Q00211110A

METRIC TERMINATION ENDS
TO ISO 8434-1
L SERIES

SIZE			PART NUMBER		THREAD	DIMENSIONS mm					
DN	Inch	Dash	Female coupling	Male coupling		A	B	C	D	E	F
6.3	1/4"	-04	Q00811110A-04-14	Q00211110A-04-14	M14x1,5	52.1	42	A+B-14,2	ø24	17	17
10	3/8"	-06	Q00811110A-06-12	Q00211110A-06-12	M12x1,5	61	52.5	A+B-17,5	ø30	22	22
10	3/8"	-06	Q00811110A-06-14	Q00211110A-06-14	M14x1,5	61	52.5	A+B-17,5	ø30	22	22
10	3/8"	-06	Q00811110A-06-16	Q00211110A-06-16	M16x1,5	61	52.5	A+B-17,5	ø30	22	22
10	3/8"	-06	Q00811110A-06-18	Q00211110A-06-18	M18x1,5	61	52.5	A+B-17,5	ø30	22	22
12.5	1/2"	-08	Q00811110A-08-14	Q00211110A-08-14	M14x1,5	65.2	54	A+B-21,8	ø38	27	27
12.5	1/2"	-08	Q00811110A-08-16	Q00211110A-08-16	M16x1,5	66.2	55	A+B-21,8	ø38	27	27
12.5	1/2"	-08	Q00811110A-08-18	Q00211110A-08-18	M18x1,5	65.2	54	A+B-21,8	ø38	27	27
12.5	1/2"	-08	Q00811110A-08-22	Q00211110A-08-22	M22x1,5	66.2	55	A+B-21,8	ø38	27	27
12.5	1/2"	-08	Q00811110A-08-26	Q00211110A-08-26	M26x1,5	66.2	55	A+B-21,8	ø38	27	27
20	3/4"	-12	Q00811110A-12-18	Q00211110A-12-18	M18x1,5	85.4	66.3	A+B-26,7	ø45	34	34
20	3/4"	-12	Q00811110A-12-22	Q00211110A-12-22	M22x1,5	85.7	66.3	A+B-26,7	ø45	34	34
20	3/4"	-12	Q00811110A-12-26	Q00211110A-12-26	M26x1,5	85.7	66.3	A+B-26,7	ø45	34	34
20	3/4"	-12	Q00811110A-12-30	Q00211110A-12-30	M30x2	87.7	68.3	A+B-26,7	ø45	34	34
25	1"	-16	Q00811110A-16-26	Q00211110A-16-26	M26x1,5	94.5	79.5	A+B-32,7	ø52	41	41
25	1"	-16	Q00811110A-16-30	Q00211110A-16-30	M30x2	96.5	81.5	A+B-32,7	ø52	41	41
25	1"	-16	Q00811110A-16-36	Q00211110A-16-36	M36x2	97	81.5	A+B-32,7	ø52	41	41